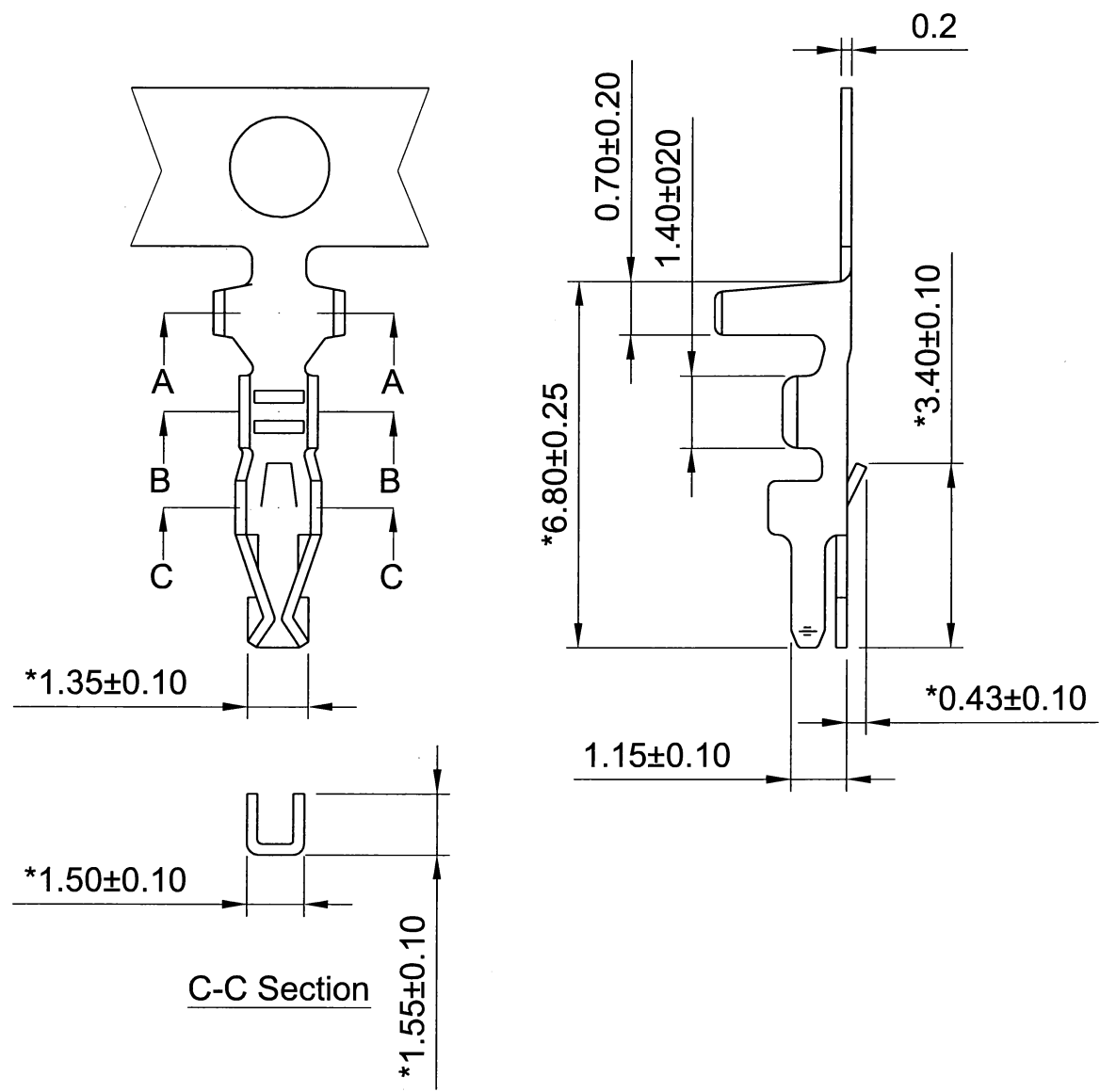
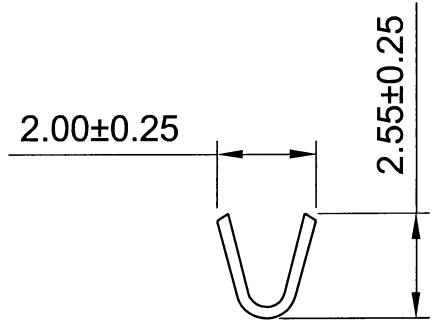


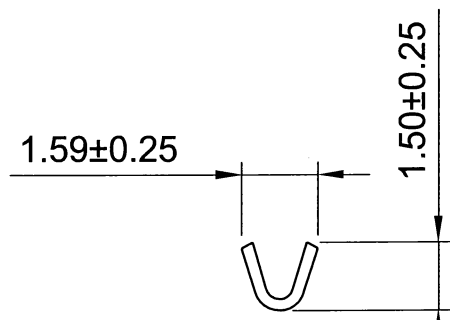
HSF
Compliant



Specifications
 Material : Phosphor Bronze
 Finish : Tin plated
 Q'ty : 10,000 pcs/reel
 Wire Range : AWG #22~#28



A-A Section



B-B Section

C-C Section

JAWS 兆旭股份有限公司
JAWS CO., LTD.
 7F., No.31, Ln. 169, Kangning St., Xizhi Dist.,
 New Taipei City 221, Taiwan (R.O.C.)
 TEL:886-2-2692-2898
 FAX:886-2-2692-2618
 Http://www.jaws.com.tw

THIRD ANGLE PROJECTION		DESIGN UNITS ■ mm □ INCH
SIZE: A4	SCALE: FREE	SHEET: 1/1
CPN:		DWG NO.: JAWS-SOP-200F010
DAN NO.: S10101-004		REV. 01

TITLE: 2.0mm Terminal	
PARTS NO.: 200F-TD-TP	

GENERAL TOLERANCES:	
X.	±N/A
X.X	±0.25
X.XX	±0.15
ANGLE	±N/A

DRAWN	游熾瑩	DATE	2012/01/05
CHECKED	Wang	DATE	2012/01/05
APPROVED	Wen	DATE	2012/01/05